



Tambotie

January 2001

Januarie 2001

Issue 1

In this issue

Editorial	1
Exhibition 2000	1
Year-end function	1
Treasurer	1
Next meeting	1
Clamping frames	2
Handy hold-down	2
Another vice	3
Squaring up panels	3
For sale / Te koop	4
New kid on the block	4

Editorial

Welcome in 2001. May this be a blessed year for all. I hope that everybody will dust off the old dust from their machines and start building those projects that your wife were begging for the past five years.

2001 will be a very exciting year in the Woodworking Association. Lots of new ideas came to the foreground. The committee is very excited about the coming year.

Things to keep in mind for this year:

- Project Plank. You need to start thinking now what you would like to make and enroll in the competition.
- Woodwork Exhibition. To make the exhibition a great success we all need to start working early in the year on projects to display and sell at the exhibition.

Natuurlik hou ons weer een van die dae "verkiezing" en moet 'n nuwe komitee verkies word. Die vereniging smag na vars bloed en vars idees om die vereniging na nuwe hoogtes te lei. As jy voel dat jy 'n verskil kan maak, hier is jou kans... .. ●

Exhibition 2000

Thank you everybody for a very successful exhibition. The feedback that we received were very positive. Thank you to everyone, that helped with the organising, planning, transporting goods, building stuff, etc. A more comprehensive article about the exhibition is planned for next month. ●

Year-end function

Only 8 couples pitched up for the function. It was a very pleasant evening enjoyed by all. A new venue will be selected this year that will be more central for everybody. Can we attract the whole association to participate... .. ●

Tesourier / Treasurer

The Treasurer of the Association, Carl van Rensburg has a new postal address. Use this address for correspondence and payments.

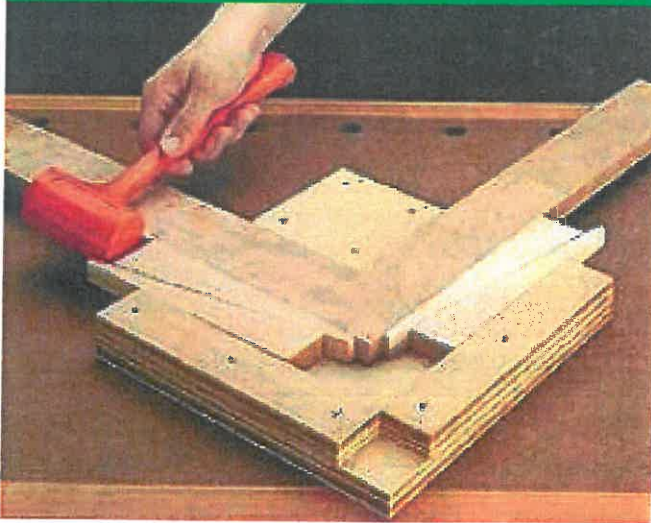
The Treasurer / Die Tesourier

Carl van Rensburg
PO Box 914-202
Wingate Park
0153

Next meeting

The following general meeting will take place on the 31 January 2001 at Timbercity in Montana. The address is at the Montana Crossings shopping centre at the corner of Dr Swanepoel and Zambesi Drive. Two blocks from the Kolonade Shopping Centre.

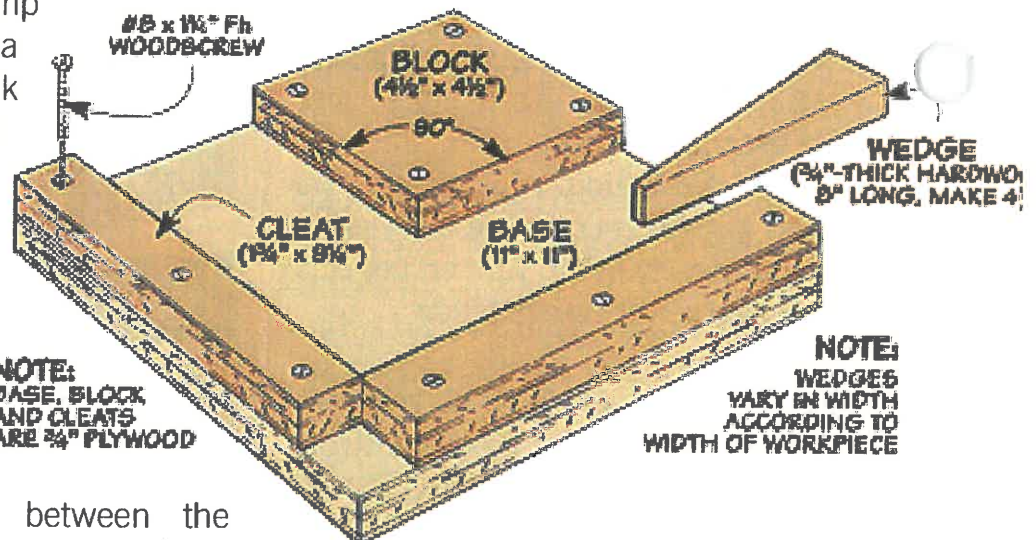
Clamping frames



It's a challenge gluing mitre joints. There just isn't an easy way to clamp them together. The store-bought clamps do not always pull the joint together. A shop-built corner clamp that uses wedges to push (or press) the mitred pieces together is a better solution.

Looking at the photo and drawing, you can see that this corner clamp uses a piece of plywood for a base. Then a square block and two cleats are glued and screwed on top. What's important here is that the inside corner of the square block is exactly 90°. Then align the inside edge of each cleat parallel with the inside edges of the block. A pair of wedges sized to fit between the workpiece and the cleat does all the work.

Looking at the photo and drawing, you can see that this corner clamp uses a piece of plywood for a base. Then a square block and two cleats are glued and screwed on top. What's important here is that the inside corner of the square block is exactly 90°. Then align the inside edge of each cleat parallel with the inside edges of the block. A pair of wedges sized to fit between the workpiece and the cleat does all the work.



Handy hold-down



We often use a router table for cutting joints such as rabbets and dados. One of the secrets to routing an accurate joint is to make sure the workpiece is pressed firmly against the router table top.

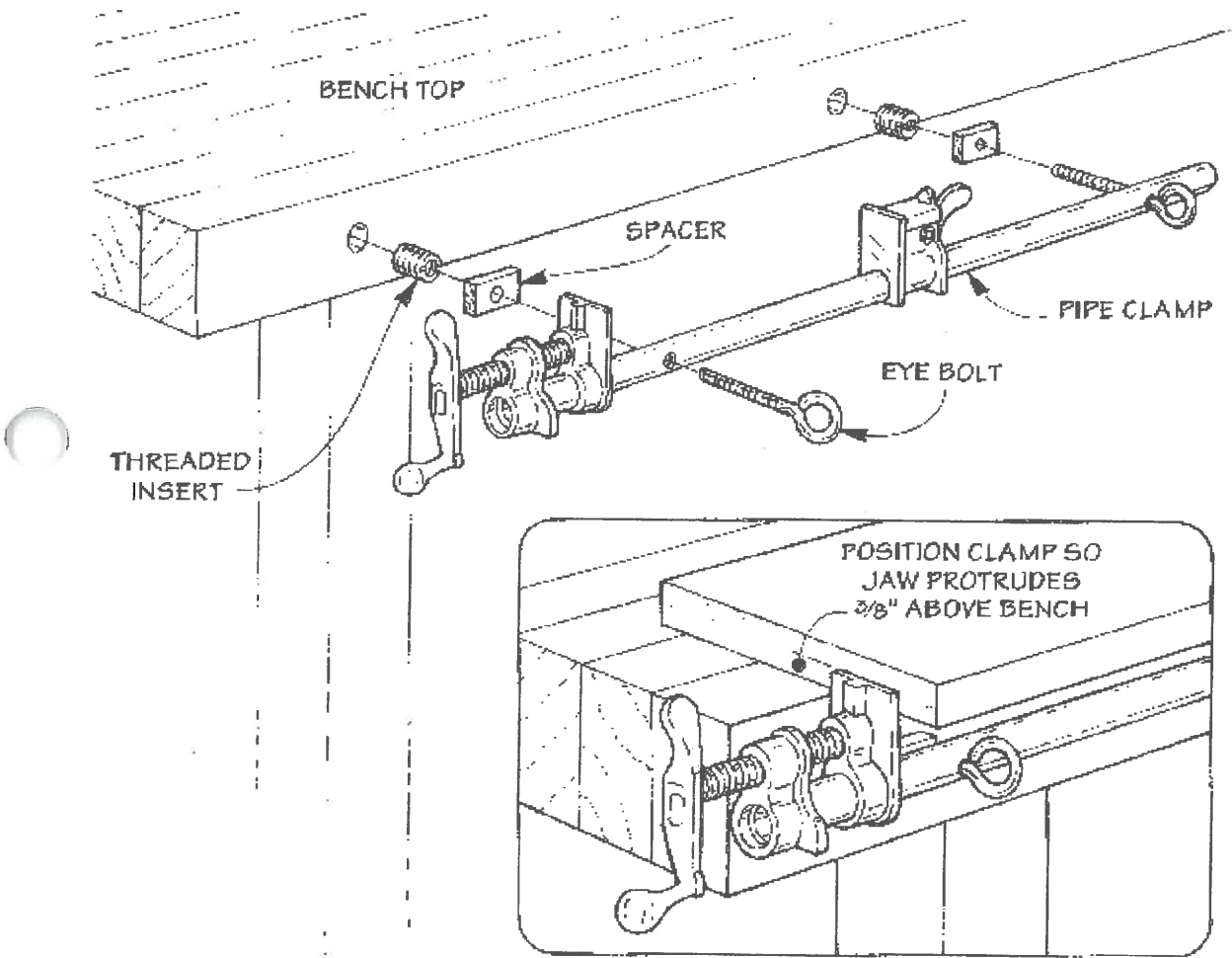
To apply constant downward pressure, a simple "spring-loaded" hold-down is needed. It's nothing more than a piece of wood about 300mm long and 150mm wide with a 3mm-thick strip of wood glued to one edge.

To build in some spring, however, remove two corners from the piece of wood before attaching the strip.

In use, the hold-down is clamped to the fence so enough downward pressure can be applied to the workpiece to keep it flat against the table top -- without causing the workpiece to bind. ●

Another vice

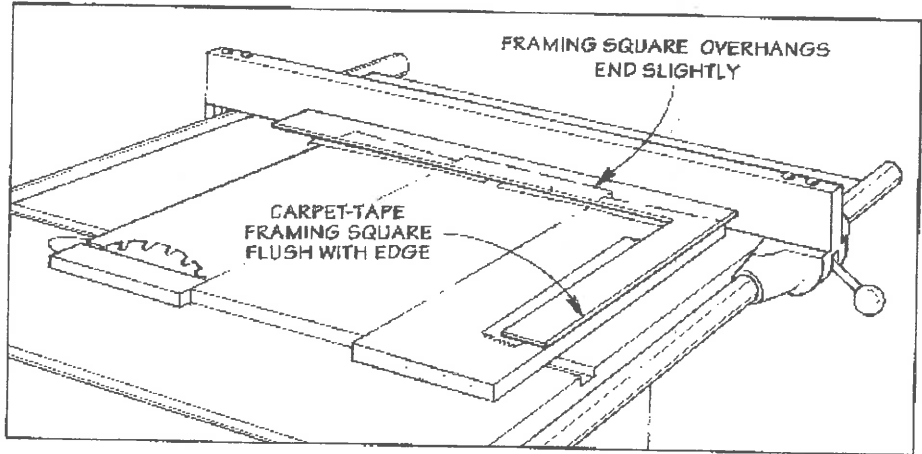
When you plane or sand a board, it's a good idea to clamp it down. My problem is that the clamps get in the way. ●



Squaring up panels

Squaring-up a large glued-up panel on the table saw can be a challenge. Especially if the panel is too large to be supported by the miter gauge. And the ends of the panel are uneven so you can't run them along the rip fence.

The solution is to "fool" the rip fence. One way of doing this is to attach a board along the edge of the panel. But this doesn't ensure a perfect 90° cut. The method I use does. And all that's required is a framing square.



Just carpet tape the framing square flush with the panel's edge so it overhangs the uneven end slightly, see drawing.

Then butt the square up against the rip fence to make the cut. Once one end is squared up, remove the framing square and cut the opposite end. ●

For Sale - Te Koop

Fanie le Hanie has a the following secondhand tools available:

- **Festo** RS 2 E orbital sander - R 1560
- **Ryobi** Beltsander with sanding frame - R 800
- **Elu** 1400W circular saw - R 800
- **Elu** 800W circular saw - R 600
- **Machine shop** scroll saw - R 900
- **Ryobi** polisher/sander - R 500
- **Elu** jigsaw (as new) - R 900
- **Fein** angle grinder - R 500
- **Yenrue** Biscuit Joiner - R1000
- **Partner** 32cm³ Chainsaw (in box) - R 1550

Contact Fanie Cell: 082 492 4098

Don Moody has a great selection of secondhand tools available. All in good working order. Do not miss out on these bargains.

Contact Don Cell: 082 888 9516

Swart leer te koop. BMW se leersitplekke word daarvan gemaak. Winskoop teen R150 stuk.

Gert Greyling Sel: 083 252 7745 of (012) 542 5993

To place a free advertisement in the *Tambotie*, contact Fanie le Hanie Cell: 082 492 4098 or eMail him at imports@intekom.co.za

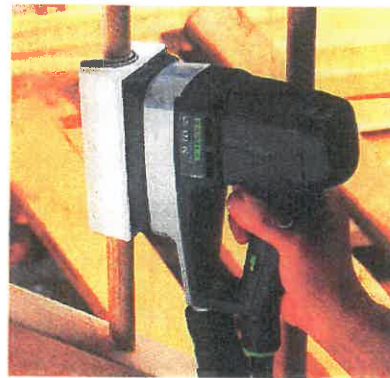
New kid on the block



Festool recently introduced a new sander that saves you 300% on time. A lot of work still has to be done manually with a sanding block. Especially when the nature of the workpiece requires linear sanding movement. The Festool Duplex LS 130 EQ



Festool LS 130 EQ Duplex Sander



performs a purely linear sanding movement and thus does not knock against edges, producing a clean, regular sanding result.

No circular marks on the surface and this means no finishing with a fine grit abrasive.

Weighing only 1.7kg, this machine is very user-friendly. A total of 7 different shape sanding pads are available. The abrasives are available from P40 grit up to P220 grit.

Furthermore it hosts a "plug-it" cable, a new feature in the Festool range, that allows one to unplug the tool on the tool itself and storing it without having to roll-up the power cord and battle with knots and space problems.

This tool is a must if you have a lot of edge sanding to perform. The tool retails for about R 2280 incl. VAT. This tool is available to members of the association at a discounted price from Executive Imports.

Call Fanie on 082 492 4098. ●