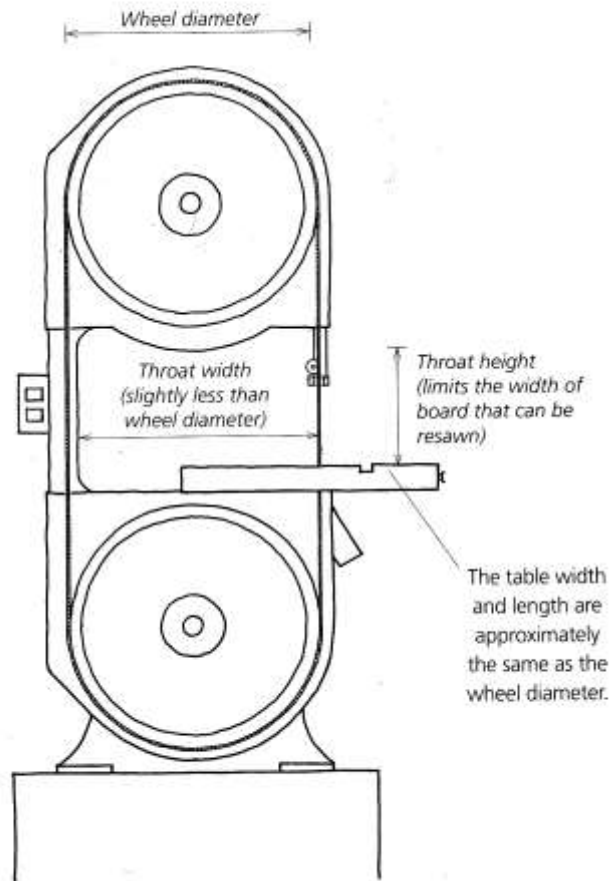


Bandsaws

What Size Means

When talking about the size of a bandsaw, it's usual to refer to the wheel diameter.

As shown in the drawing, the throat width limits the width of the stock you can run through your saw. The throat width is nearly the same as the wheel diameter but typically a little less since most saws use the frame to shield the blade. In most cases, the length and width of the table are similar to the wheel diameter.



Bandsaws and Cabinet Making

Topics

- Applications
- Use of fences
- Resawing
- Curves
- Ripping raw timber
- Safety



Applications

- Many applications-not only curves
- Narrow kerf saves wood
- Straight lines (eg ripping)
- Curves
- Resawing and veneers
- Joints (removal of waste before detail routing)

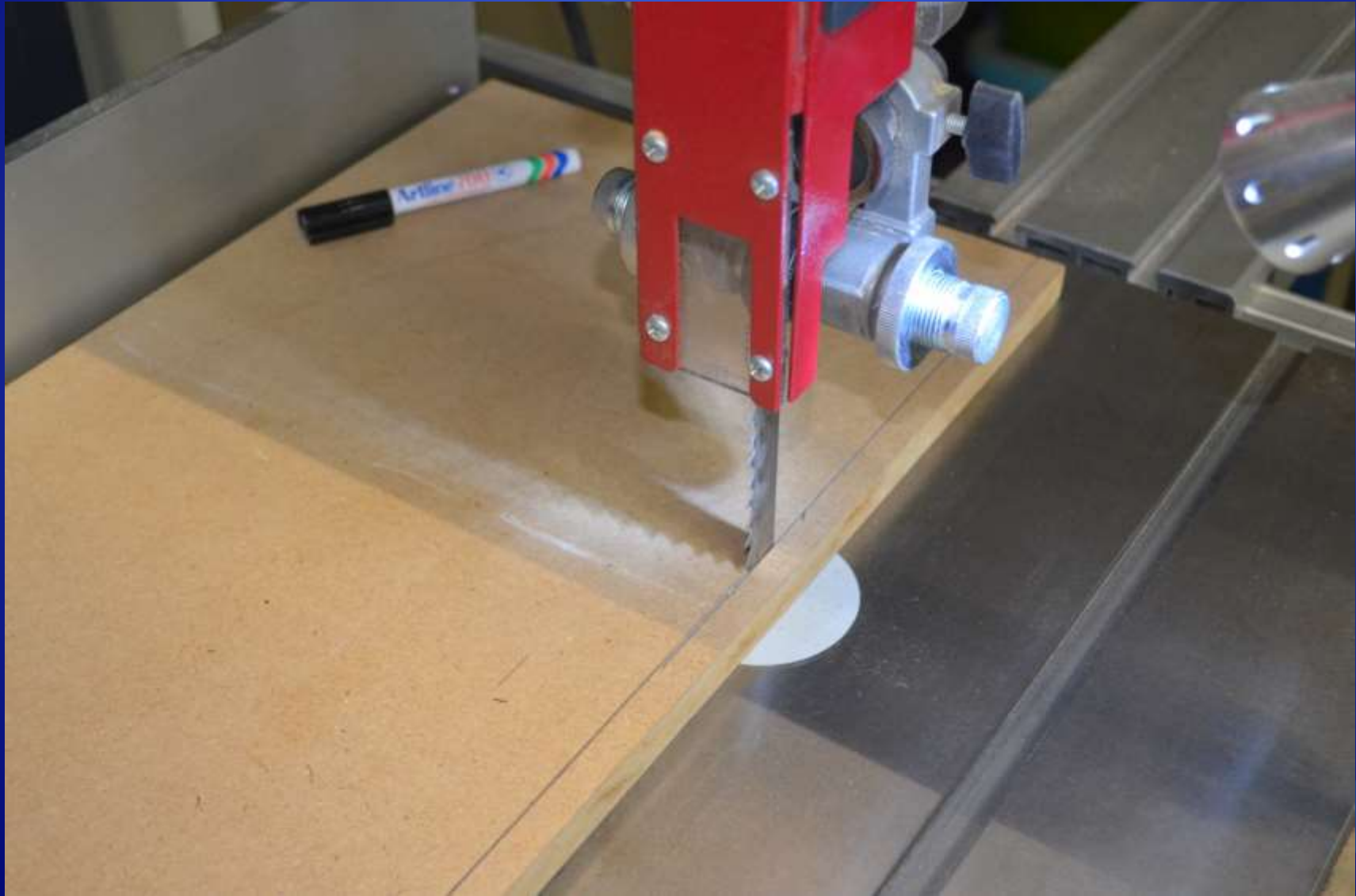


Fences

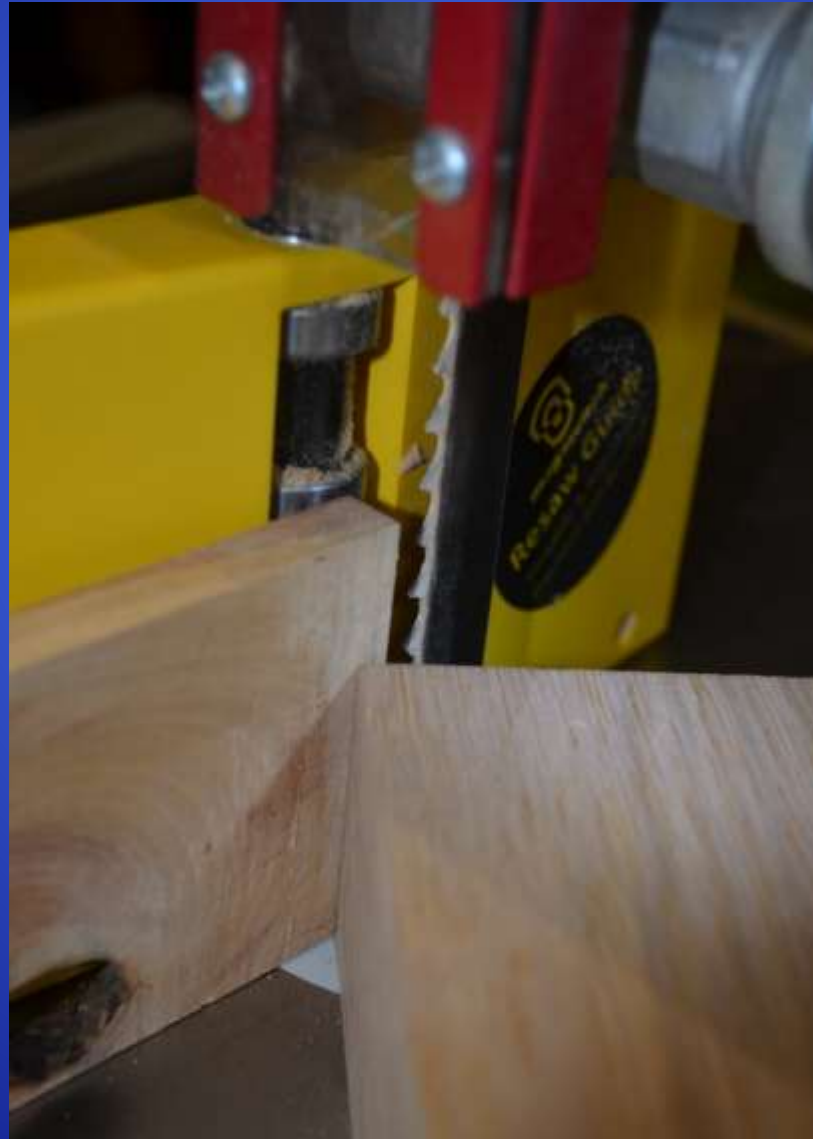
- Often not necessary-eyeball



Fence Adjustment



Resawing Fences



Curves and Blade Widths

How Bandsaw Blade Width Affects Cutting Radius

Blade width

1 in.

$\frac{3}{4}$ in.

$\frac{5}{8}$ in.

$\frac{1}{2}$ in.

$\frac{3}{8}$ in.

$\frac{1}{4}$ in.

$\frac{3}{16}$ in.

$\frac{1}{8}$ in.

$\frac{1}{16}$ in.

10 mm

90°

$\frac{3}{8}$ in.

$\frac{5}{16}$ in.

$\frac{1}{8}$ in.

$1\frac{7}{16}$ in.

$2\frac{1}{2}$ in.

$3\frac{3}{4}$ in.

$5\frac{7}{16}$ in.

$7\frac{1}{2}$ in.

36 mm

Minimum radius the blade can cut without difficulty



Fence for Curves



Finishing curved components



Bandsaw Safety

- Bandsaws are inherently safe, but need some precautions such as push sticks



Bandsaw Safety

- Extension roller & tables for long/heavy items



Bandsaw Safety



Shopmade
flush table
insert





