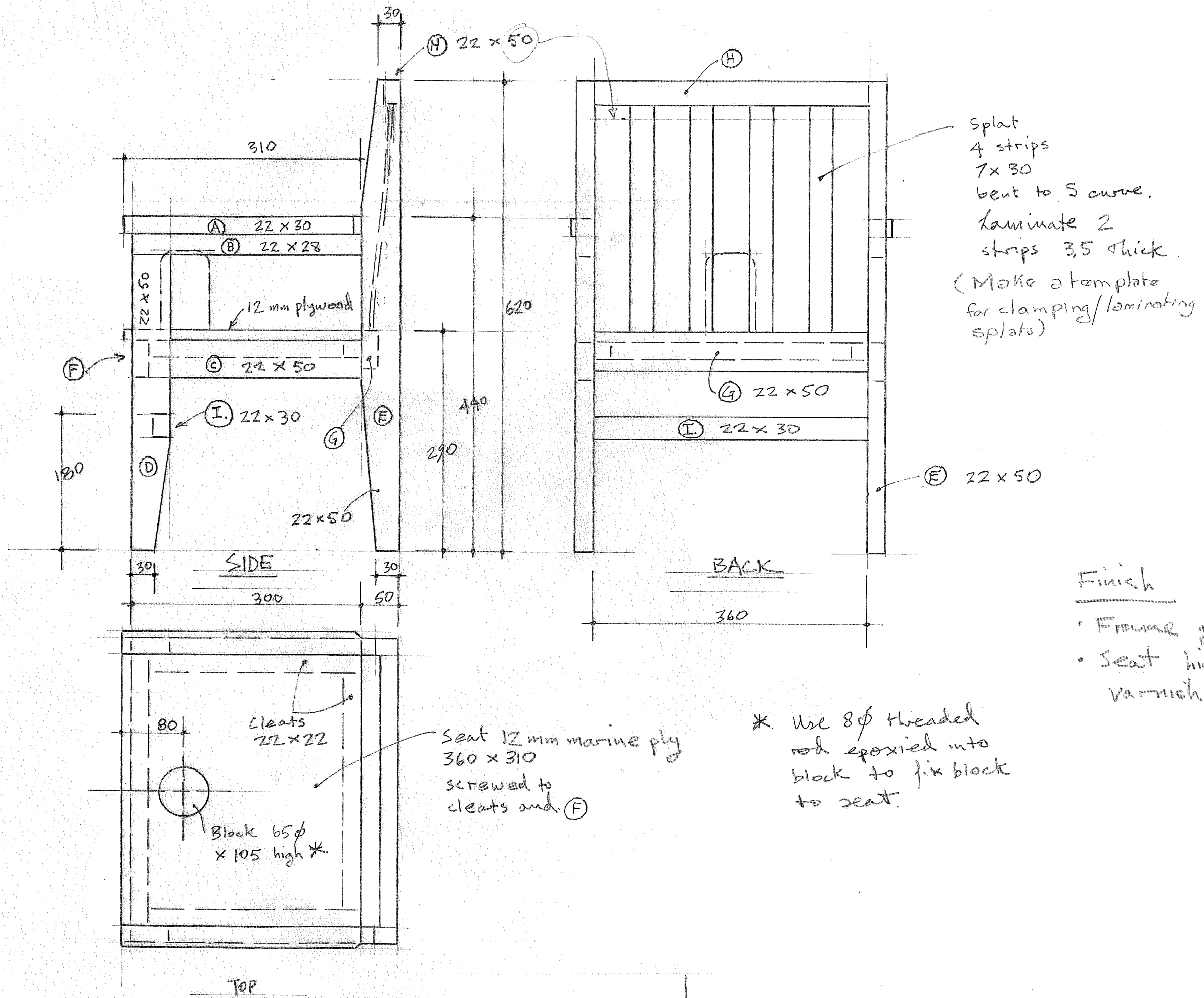


Chairs for New Hope School



Splat
4 strips
7x30
bent to S curve.
Laminate 2
strips 3.5 thick.
(Make a template
for clamping/laminating
splats)

Finish

- Frame glass enamel
- Seat high gloss varnish

* Use 8φ threaded rod epoxied into block to fix block to seat.